



A TOP BRAND OF SUPERIOR TECHNOLOGY
AND REPUTATION COMBINE

科技與口碑結合的領先品牌

SESAME

GB Series Speed Reducer

GB 系列減速機

DEDICATED BLDC
SPEED REDUCER

無刷直流馬達專用



2GB

5GB



ISO 9001
ISO 14001



● 特性 FEATURES

- 一體成形齒箱，結構緊湊
- 齒輪經精密加工，精度高
- 採用滾珠軸承，可承受高側向力與軸向力
- 封閉式齒箱設計，低噪音、壽命長、潤滑油脂不易乾涸
- Integrated gear box and precision gears enhance stiffness,
- Compact structure and smooth transmission.
- Ball bearings result in higher radial and axial load capacity.
- Sealed gear box design reduces noise and increases service life.

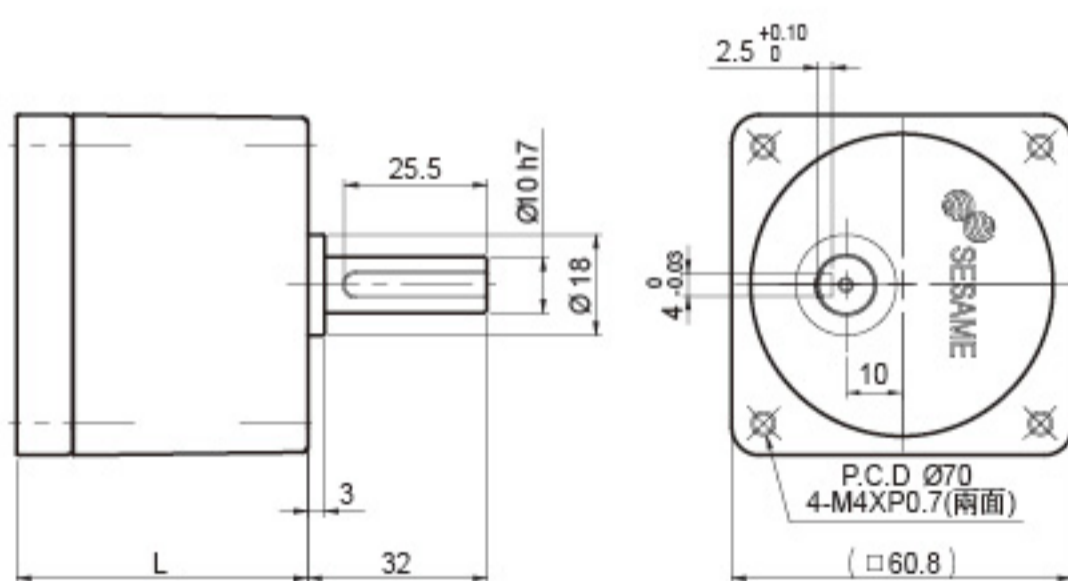
● 應用 APPLICATIONS

- 折床、沖床、壓床、輸送設備、射出機、捲取機械、引出機械、輸送設備、天車、電梯
- 自動販賣機、自動兌幣機、影印機、X光機、柵欄門
- 健身器材設備、按摩器材、電動車、電動輪椅
- Metal Forming Machine Tools, Conveyors, Injection Molding machine, Winding Machine, Crane, Elevator.
- Auto Vending Machine, Auto Coin Changer, PhotoCopier, X-Ray Machine, Barrier Gate.
- Gym Equipment, Massager, Electric Scooter, Electric Wheelchair.

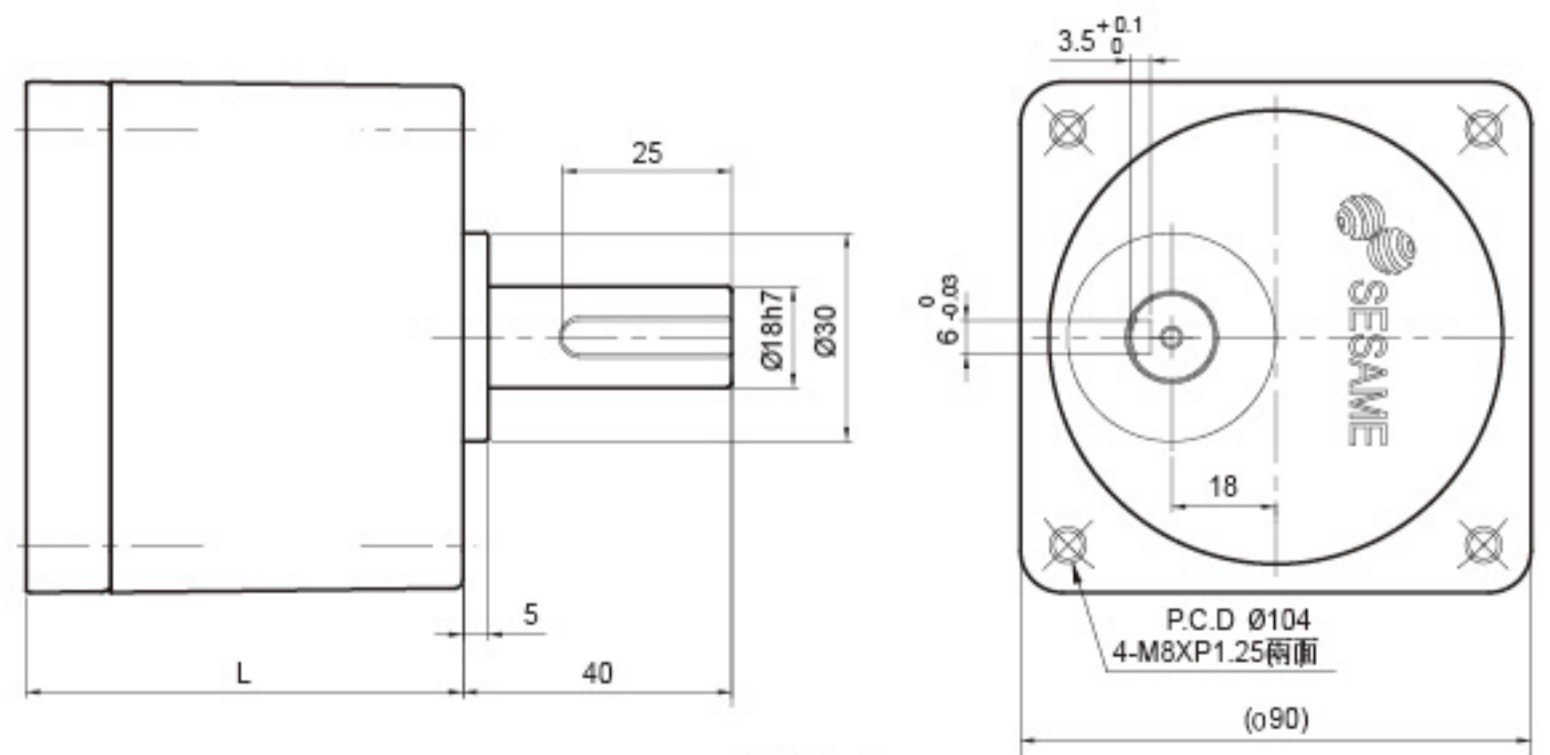
● 規格表 SPECIFICATIONS

2GB小型減速機規格 (2GB Speed Reducer)								5GB小型減速機規格 (5GB Speed Reducer)							
減速比 (Gear Ratio)	1:5	1:10	1:15	1:20	1:30	1:50	1:100	減速比 (Gear Ratio)	1:5	1:10	1:15	1:20	1:30	1:50	1:100
長度 (Length) L	L=37mm		L=42mm		L=52mm			長度 (Length) L	L=54.5mm		L=67mm		L=80mm		
最大容許轉矩 Max. Allowable Torque(Kg-cm)	30		45		55			最大容許轉矩 Max. Allowable Torque(Kg-cm)	150		200		350		
容許懸掛荷重 Allowable Radial Load(Kg)			12					容許懸掛荷重 Allowable Radial Load(Kg)			40				
容許推動荷重 Allowable Axial Load(Kg)			4.5					容許推動荷重 Allowable Axial Load(Kg)			12				

● 外型尺寸圖 DIMENSIONS



2GB尺寸圖



5GB尺寸圖

* 本公司有權對以上數據規格逕行設計變更不先行告知。

The above figures or specifications are subject to change without prior notice.

* 產品因人為原因或天災等因素導致不良或損壞，不在保固範圍內。

Products due to human error, natural disasters or other factors lead to poor or damaged, will not be covered under warranty.


世協電機股份有限公司

SESAME MOTOR CORP.

42953 台中市神岡區和睦路一段599號

599, Sec. 1, Hemu Rd., Shengang, Taichung 42953, Taiwan

Tel: +886-4-2561-0011 Fax: +886-4-2562-7766

Skype phone: sesame_motor 

E-mail: info@sesamemotor.com.tw

http:// www.sesamemotor.com



經銷商 / AGENT